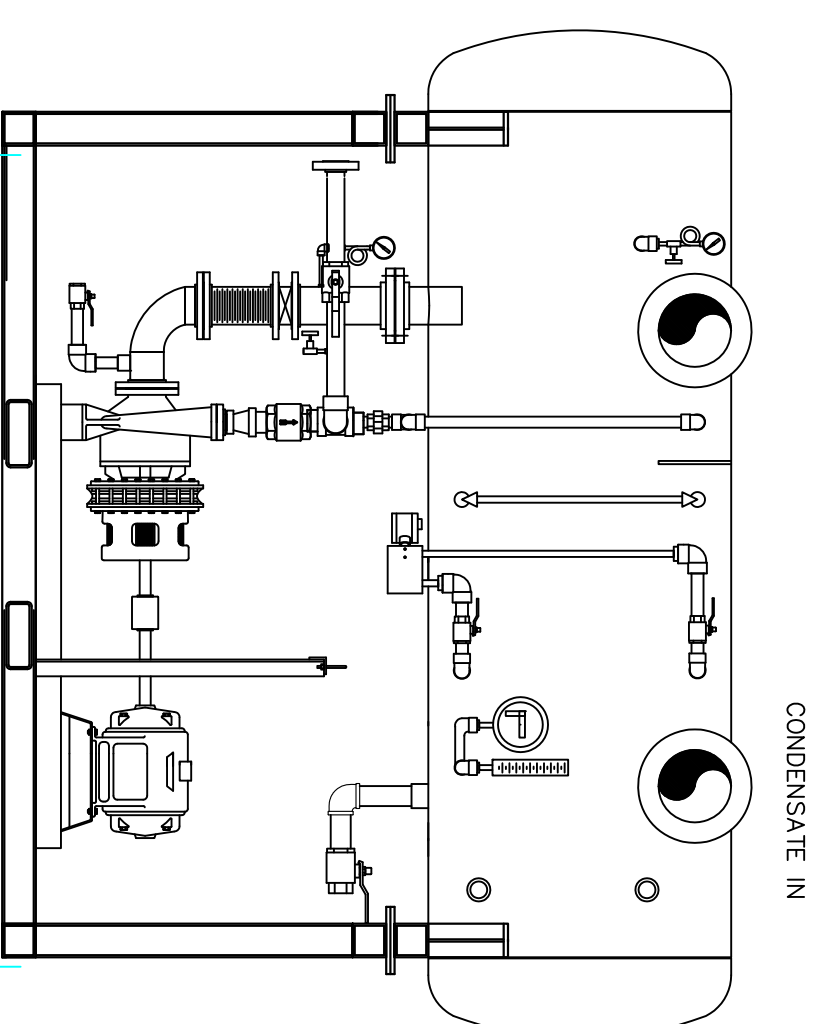
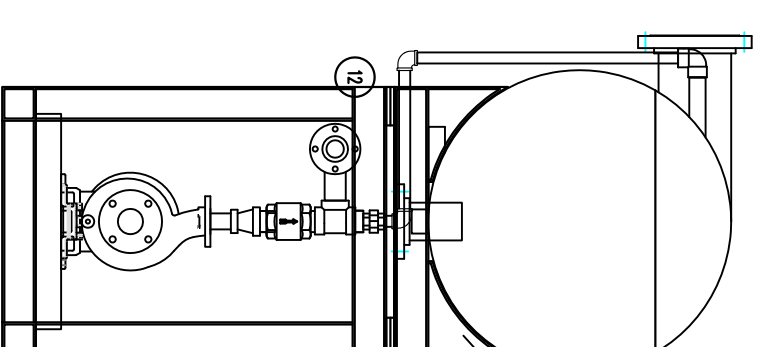


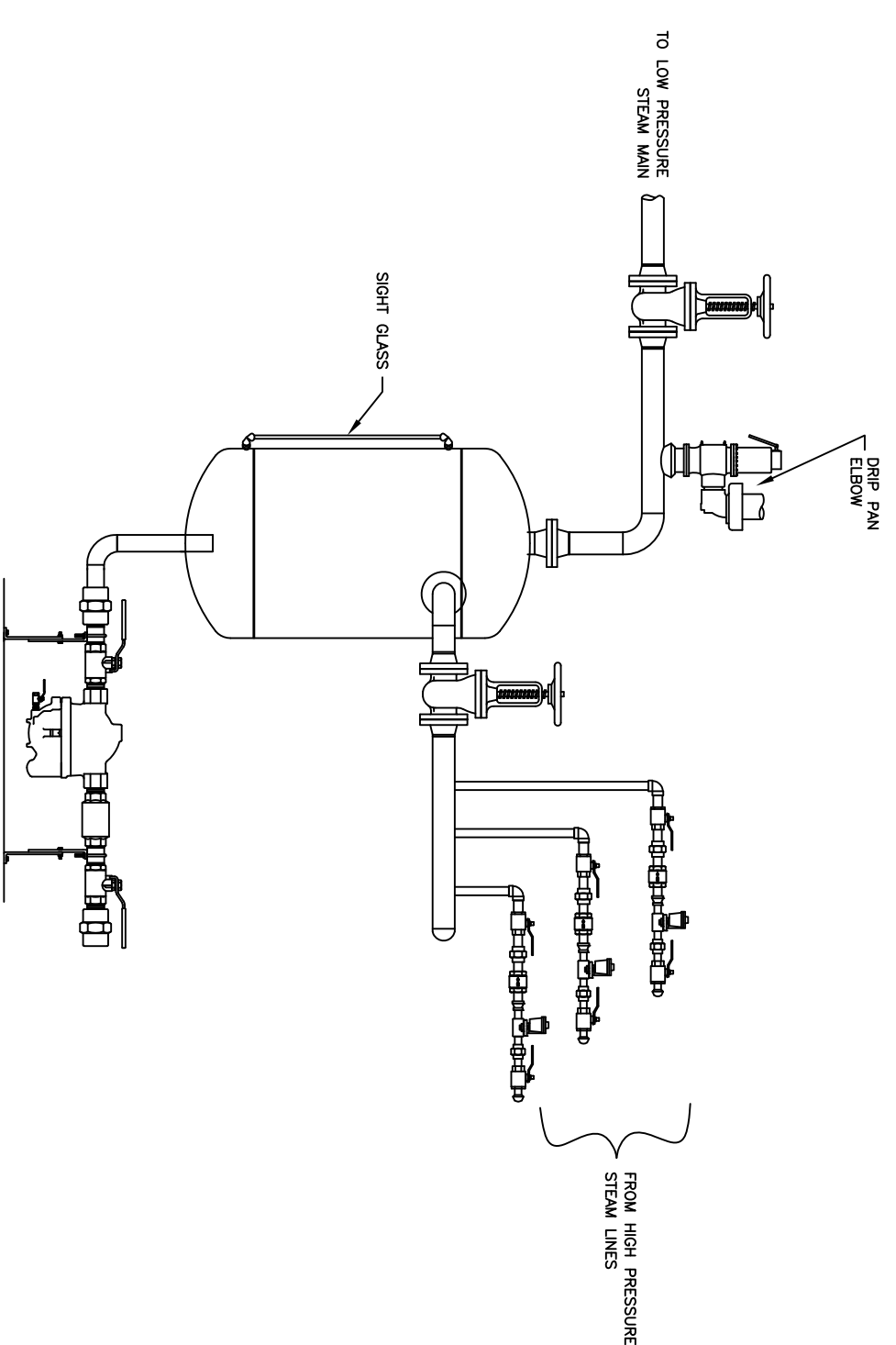
ELECTRIC CONDENSATE PUMP DETAIL



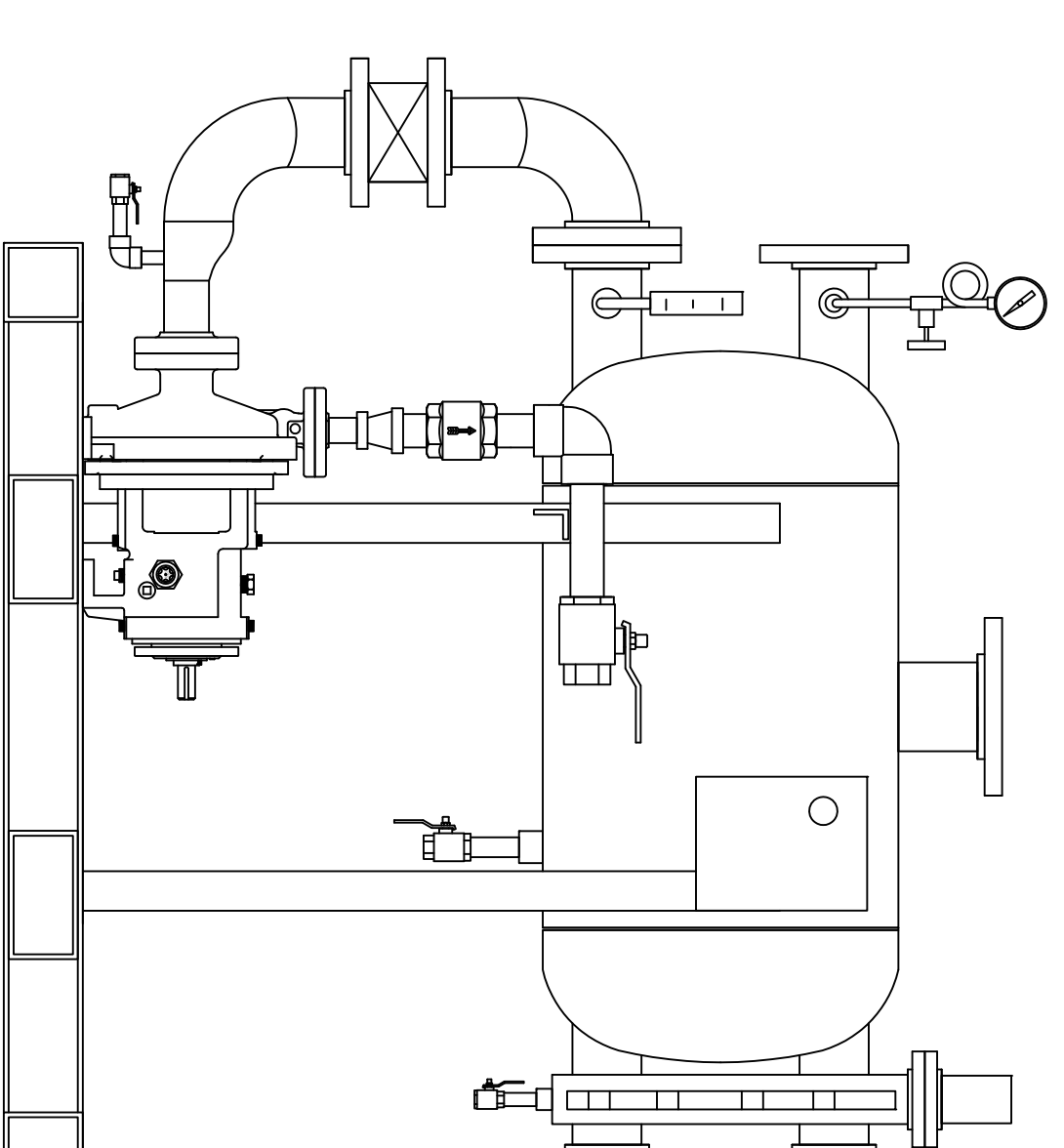
PUMP SKID SIDE VIEW



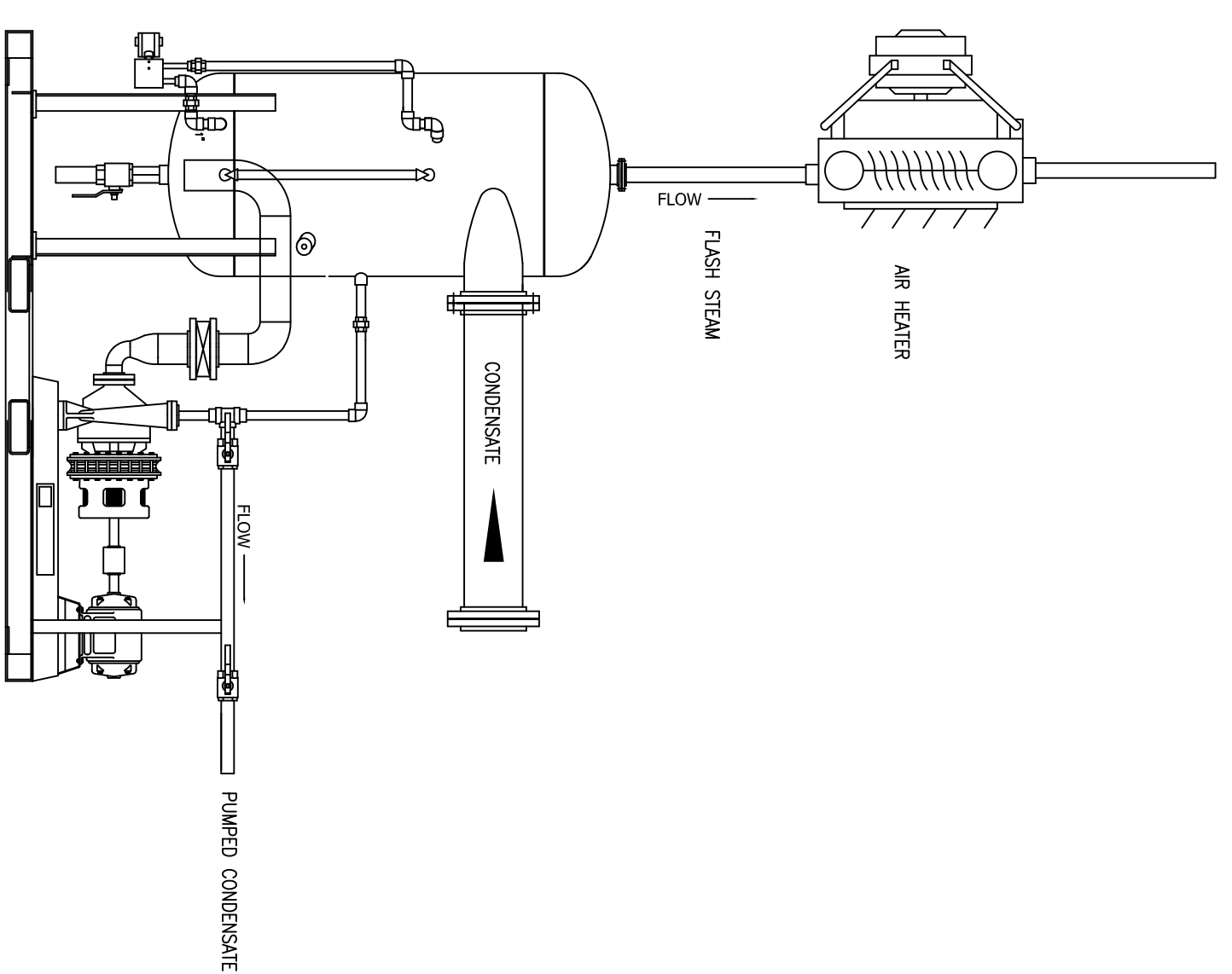
CONDENSATE IN



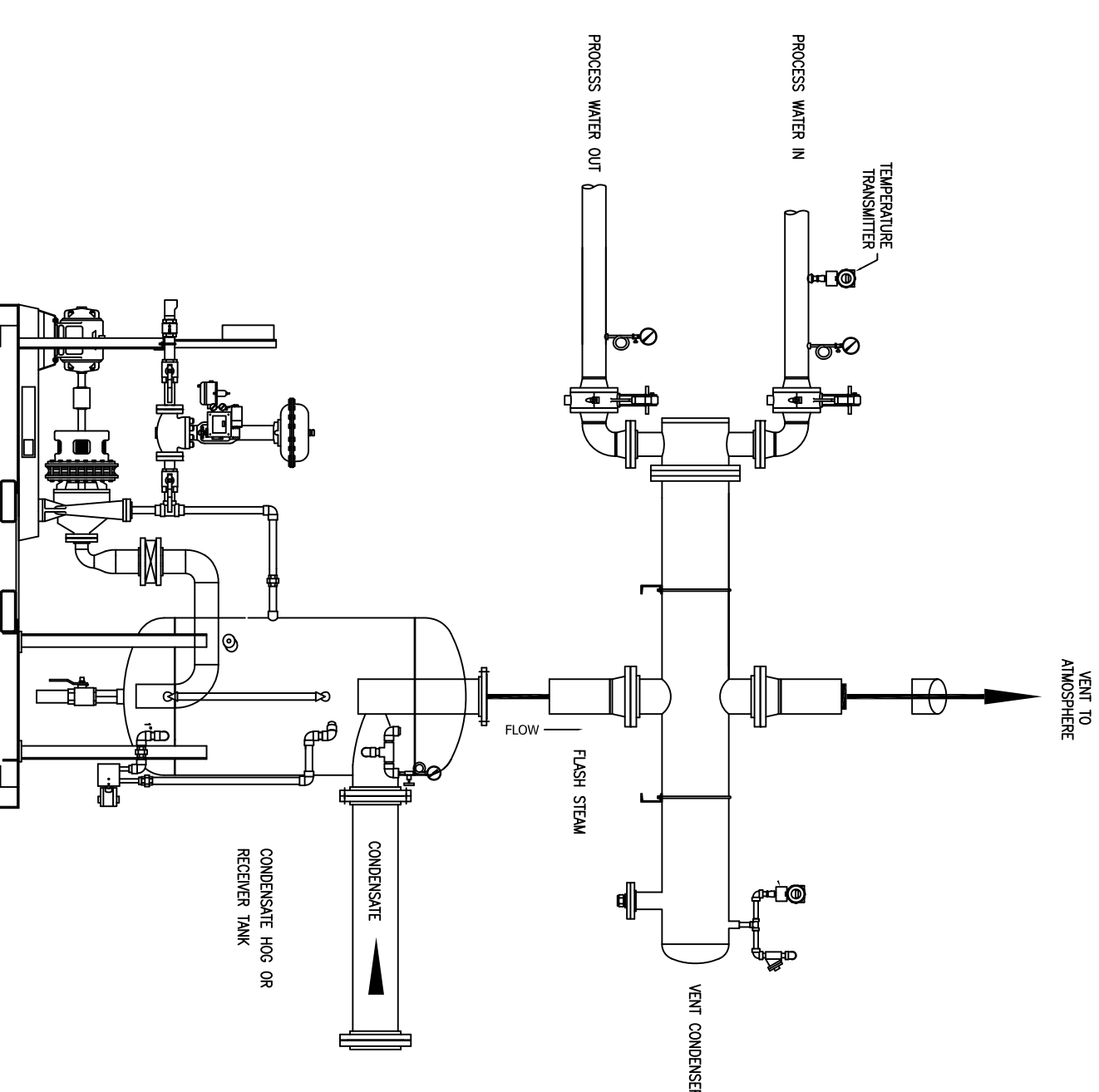
FLASH TANK STEAM RECOVERY DETAIL



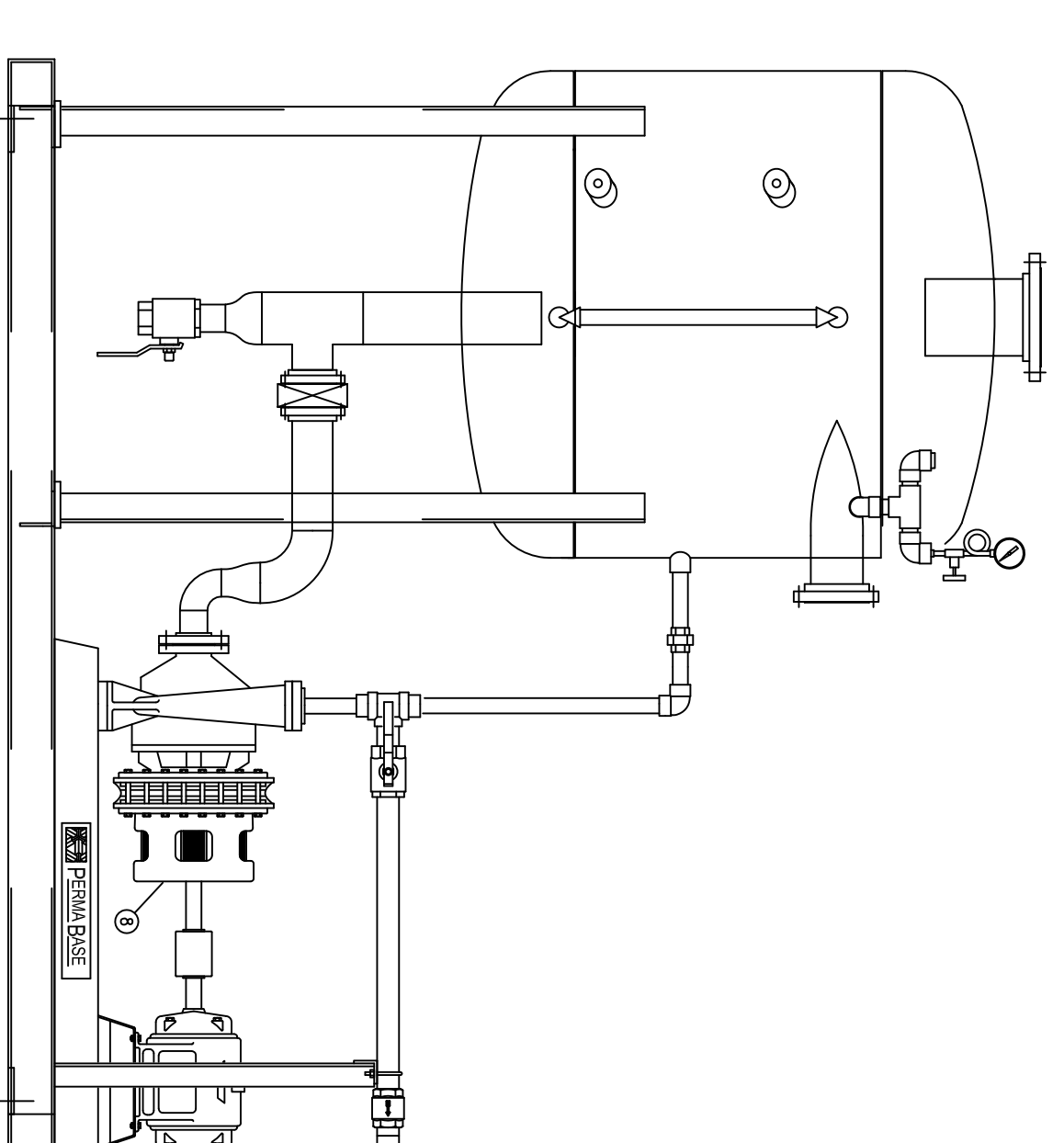
DETAIL CONDENSATE TANK



VFD CONDENSATE CONTROL



VENT CONDENSER DETAIL



H	RH	RHD	BH1	JAH1	
G	RG	RGD	BVG	JAG	
F	RF	RFD	BVF	JAF	
E	RE	RED	BVE	JAE	
D	RD	RDD	BVD	JAD	
C	RC	RCD	BVC	JAC	
B	RB	RBD	BVA	JAB	
A	RA	RAD	BVA	JAB	
REV			DATE	DRAWN	APP'D

REVISIONS


INVENO ENGINEERING LLC
 STEAM SYSTEM OPTIMIZATION
 LEADERS IN STEAM ENGINEERING
 SYSTEM OPTIMIZATION
 AND RELIABILITY
 Address: 7301 E Redbird Ave, Tampa, FL 33637
 INVENOENGINEERING.COM

JOB NUMBER		SCALE		SHEET #		SHEET NO.		SHEET SIZE	
12-12-00		1:1		1		OF		12x18	
DRAWN BY		CHECKED BY		APPROVED BY		DATE		DWG#	
A. RA		A. RA		A. RA		12-12-00		R	

CUSTOMER
JOBDESC
 AND
 LOCATION