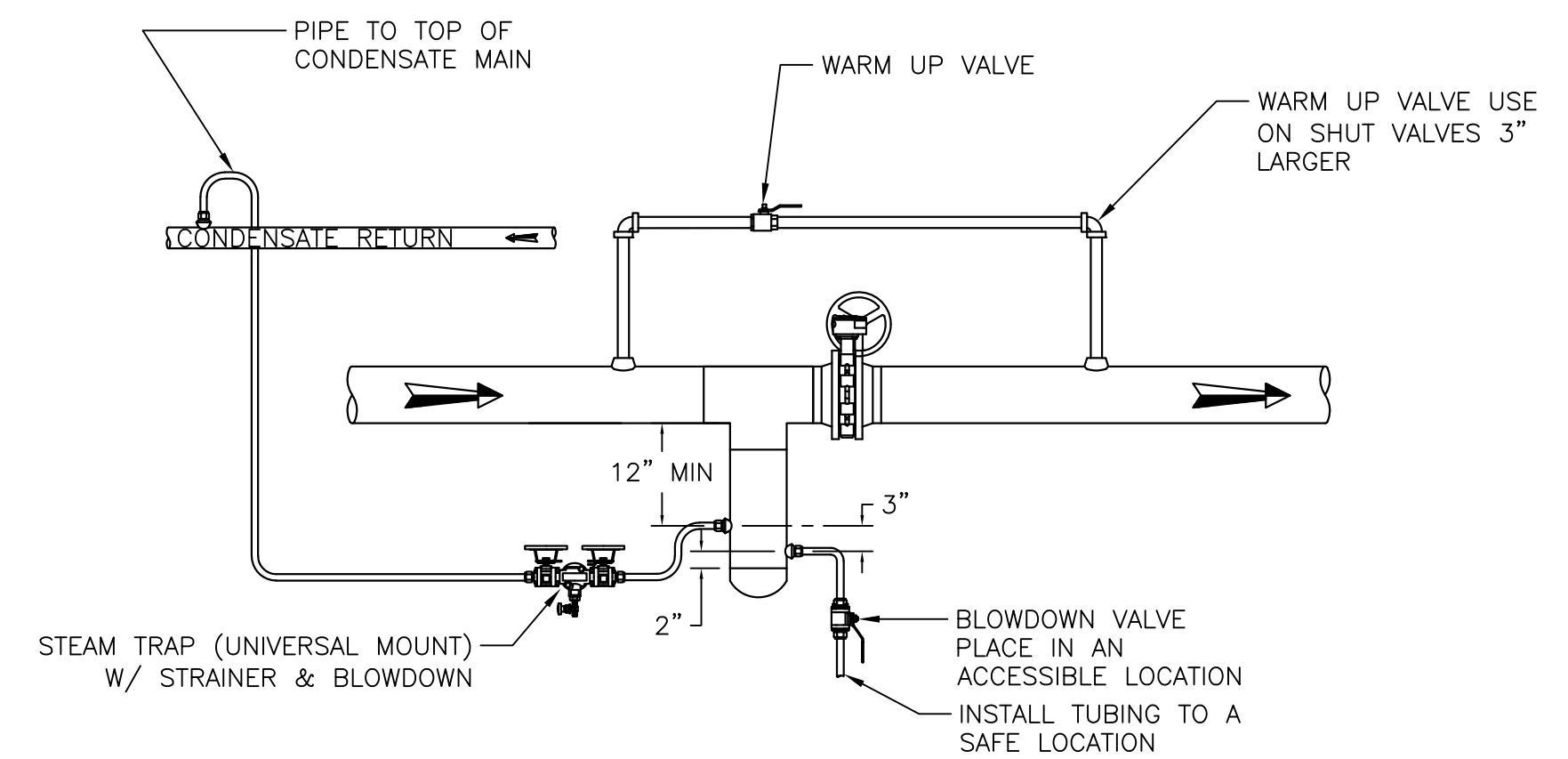
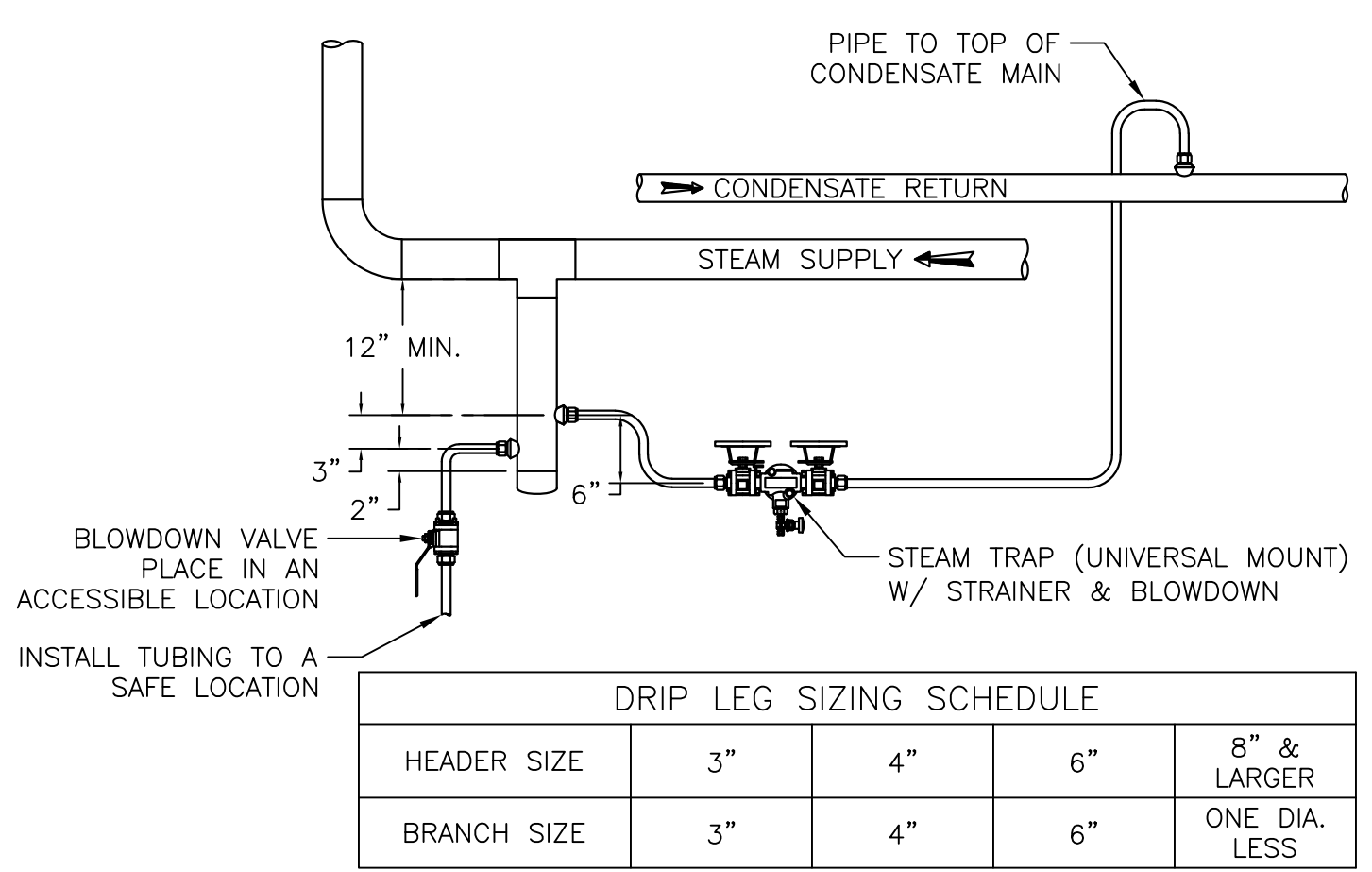


FLASH STEAM TABLE												
INITIAL STEAM PRESS. (PSIG)	SAT. TEMP. (°F)	FLASH TANK OR CONDENSATE LINE (PSIG)										
		0	5	10	20	30	40	50	75	100	125	150
25	267	5.7	3.0	3.0	1.0	0.0	0.0	0.0	0.0	0.0	0.0	0.0
50	298	9.0	6.2	6.2	4.3	2.6	13.0	0.0	0.0	0.0	0.0	0.0
75	320	11.3	8.6	8.6	6.7	5.0	0.7	22.5	0.0	0.0	0.0	0.0
100	338	13.3	10.8	10.6	8.7	7.0	5.7	4.6	2.2	0.0	0.0	0.0
125	353	14.8	12.2	12.2	10.3	8.7	7.4	6.3	3.8	1.7	0.0	0.0
150	366	16.8	13.7	13.7	11.8	10.2	8.8	7.8	5.4	3.3	1.6	0.0
175	377	17.4	15.0	15.0	13.0	11.6	10.0	9.0	6.7	4.6	3.0	1.5
200	388	18.7	16.2	16.2	14.4	12.8	11.5	10.4	8.0	6.0	4.4	2.8
225	398	19.7	17.0	17.0	15.4	13.8	12.4	11.4	9.0	7.0	5.4	3.8
250	406	20.7	18.2	18.2	16.4	15.0	13.6	12.5	10.0	8.2	6.6	5.0
300	422	22.4	20.0	20.0	18.2	16.7	15.5	14.4	11.0	10.0	8.5	7.0
350	436	24.0	21.6	21.6	20.0	18.4	17.0	16.0	13.8	12.0	10.4	8.9
400	448	25.5	23.0	23.0	21.5	20.0	18.7	17.7	15.6	13.5	12.0	10.5
450	459	26.8	24.4	24.4	22.7	21.2	20.0	19.0	16.8	15.0	13.4	12.0
500	470	28.2	25.7	25.7	24.0	22.6	21.4	20.4	18.2	16.4	14.6	13.4
550	480	29.2	27.0	27.0	25.3	23.7	22.6	21.6	19.5	17.5	16.0	14.7
660	448	30.2	28.0	28.0	26.4	25.0	23.6	22.7	20.5	18.7	17.3	16.0



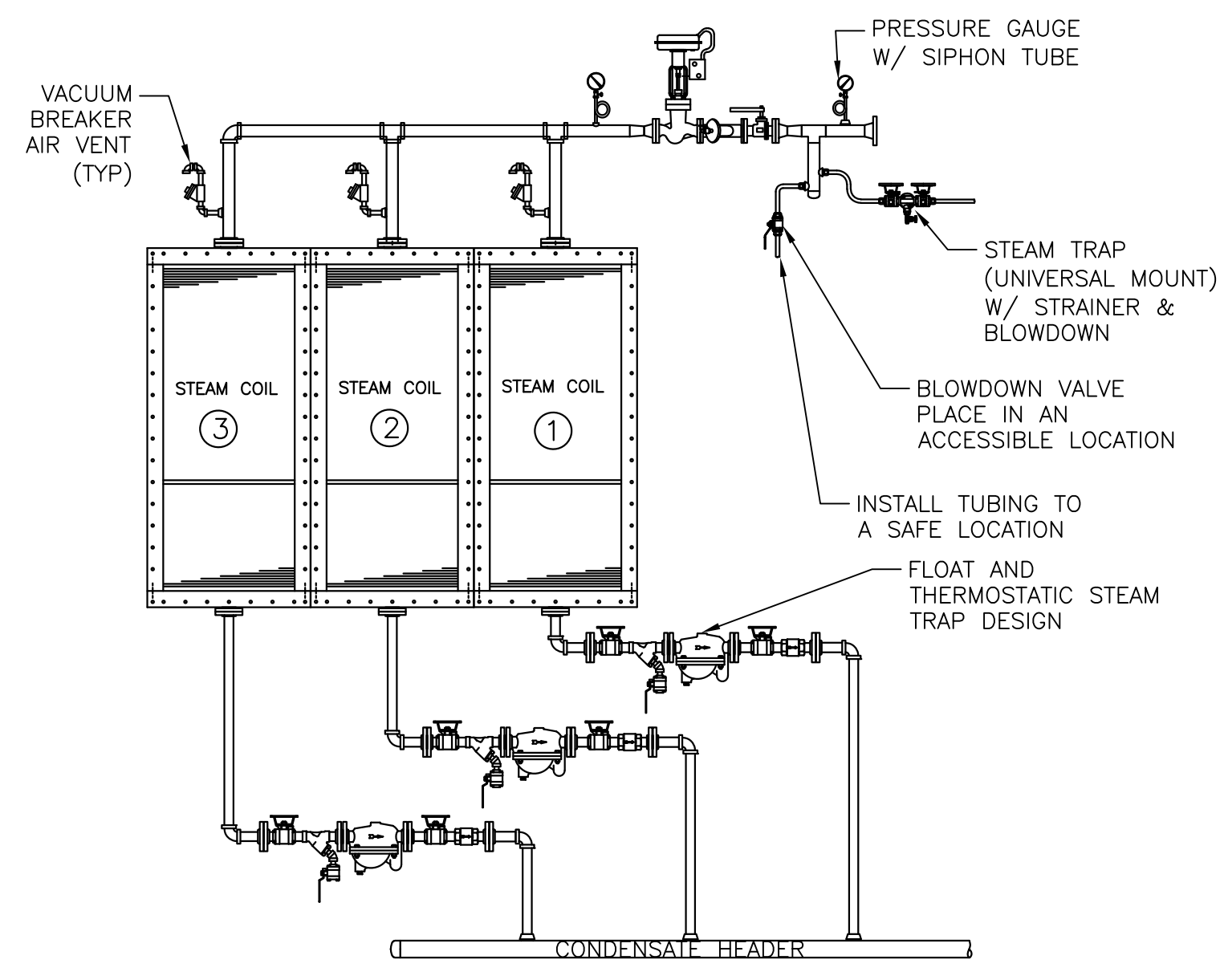
STEAM ISOLATION VALVE INSTALLATION WITH WARM UP VALVE



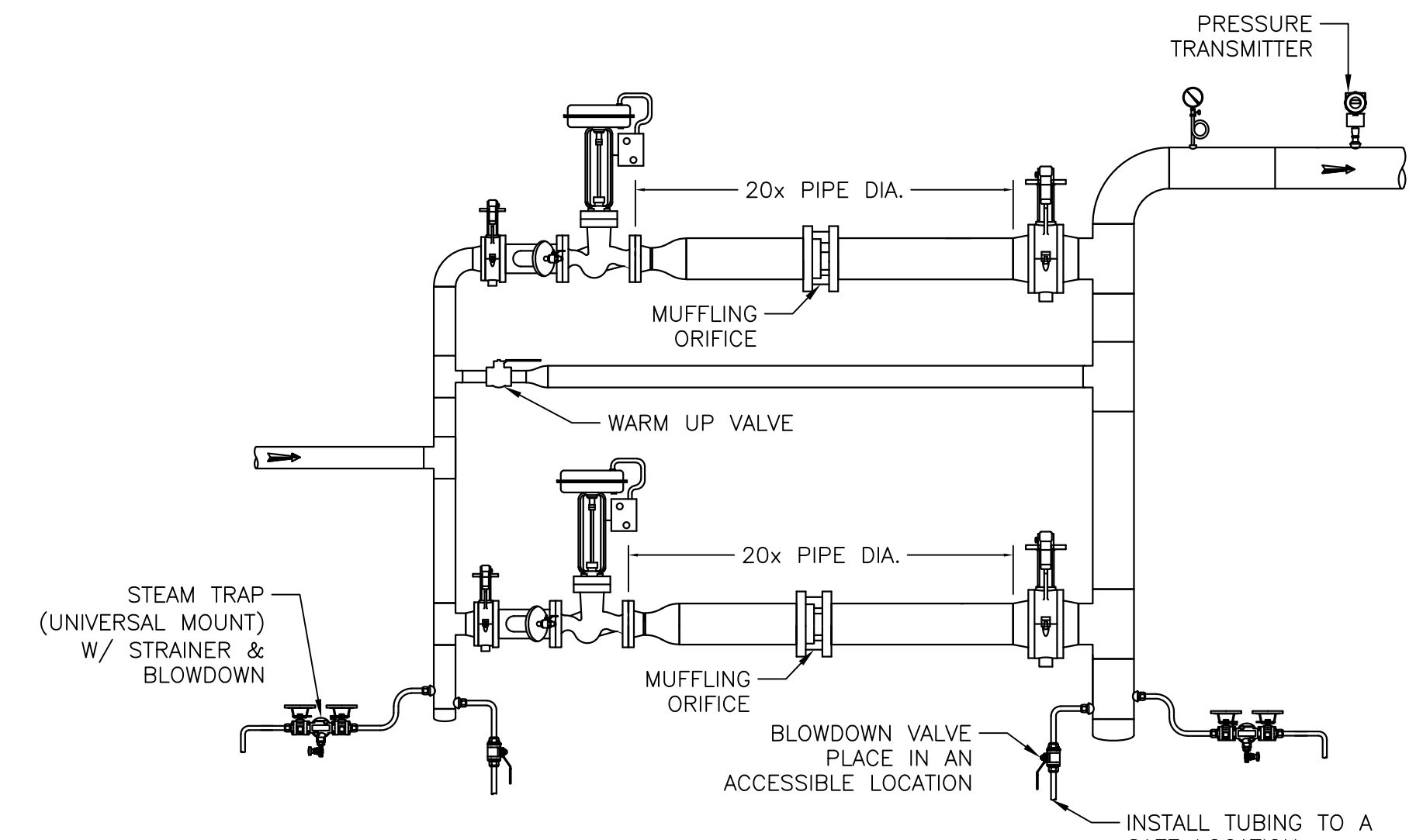
STEAM LINE CONDENSATE REMOVAL STEAM TRAP STATION OR DRIP LEG DETAIL

PRESSURE (PSIG)	ABSOLUTE (PSIA)	TEMPERATURE SATURATION (°F)	SPECIFIC VOLUME		HEAT LIQUID (HF)	ENTHALPY - BTU/LB	
			WATER (VF)	STEAM (VG)		LAT. HEAT (HFG)	TOTAL STM HEAT (HG)
0	14.7	212.00	0.016713	26.789	180.33	970.0	1150.3
5	19.7	227.15	0.016827	20.378	195.61	960.5	1156.1
10	24.7	29.40	0.016923	16.484	207.99	952.6	1160.6
15	29.7	249.76	0.017006	13.880	218.47	945.7	1164.2
20	34.7	258.78	0.017081	11.998	227.61	939.6	1167.2
25	39.7	266.79	0.017149	10.575	235.77	934.1	1169.9
30	44.7	274.02	0.017212	9.461	243.13	929.0	1172.1
35	49.7	280.62	0.017271	8.564	249.87	924.3	1174.2
40	54.7	286.71	0.017327	7.825	256.09	919.9	1176.0
45	59.7	292.36	0.017380	7.207	261.89	915.8	1177.7
50	64.7	297.65	0.017431	6.682	267.31	911.9	1179.2
75	89.7	320.03	0.017657	4.911	290.39	894.8	1185.2
100	114.7	337.87	0.017857	3.891	308.94	880.4	1189.3
125	139.7	352.86	0.018033	3.227	324.65	868.0	1192.7
150	164.7	365.86	0.018194	2.757	338.38	856.7	1195.1
175	190.0	377.51	0.018338	2.404	350.79	846.8	1197.6
200	214.7	387.79	0.018483	2.136	361.79	837.7	1199.5
250	364.7	406.03	0.018742	1.743	381.51	820.2	1201.7
300	314.7	421.76	0.018981	1.471	398.79	804.4	1203.2
350	364.7	435.66	0.019205	1.272	414.22	789.9	1204.1
400	414.7	448.15	0.019418	1.120	427.39	776.3	1203.7
500	514.7	470.00	0.019820	0.901	452.76	751.3	1204.1
600	614.7	488.79	0.020201	0.751	474.58	728.3	1202.9

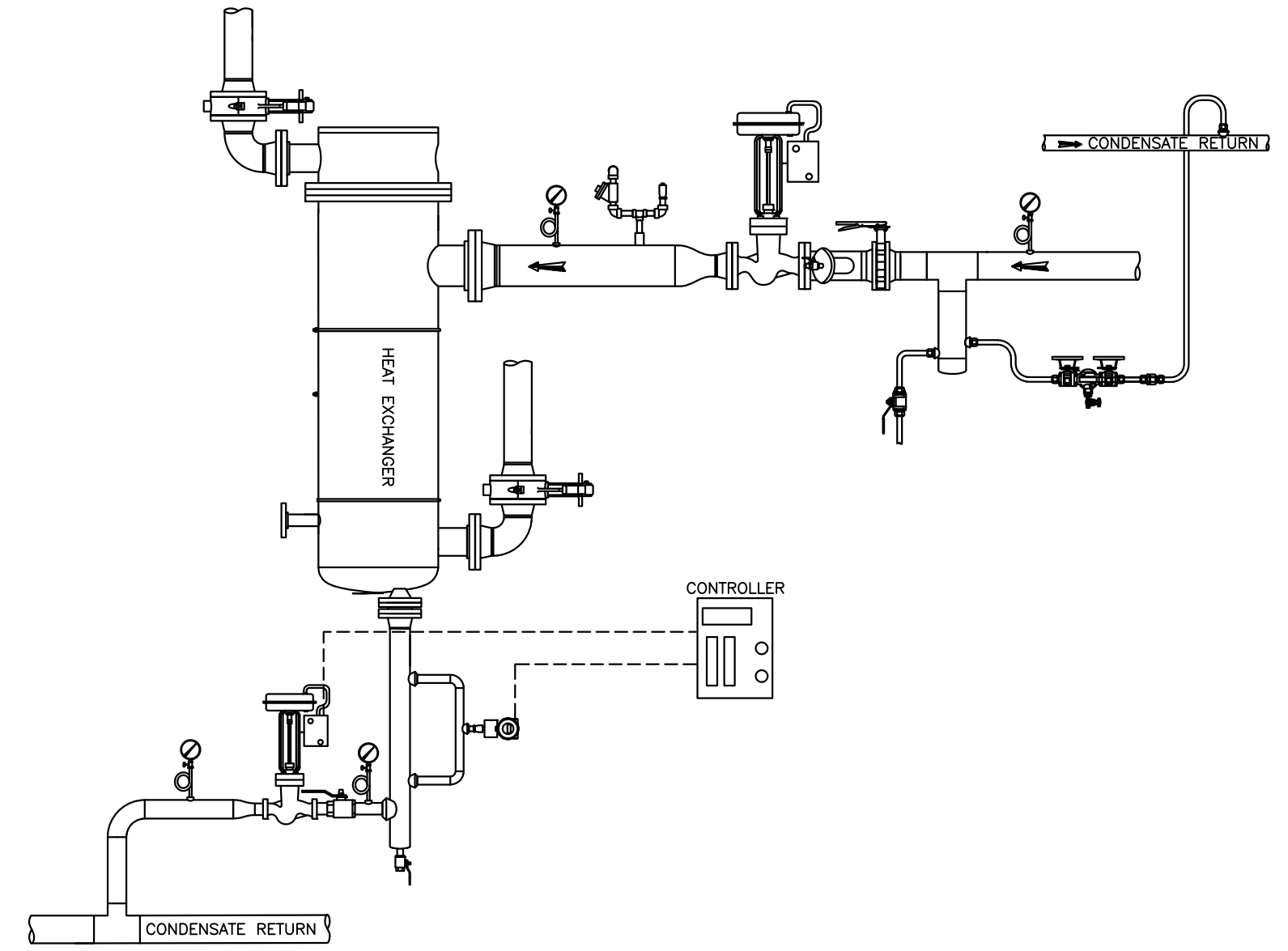
DRIP LEG SIZING SCHEDULE				
HEADER SIZE	3"	4"	6"	8" & LARGER
BRANCH SIZE	3"	4"	6"	ONE DIA. LESS



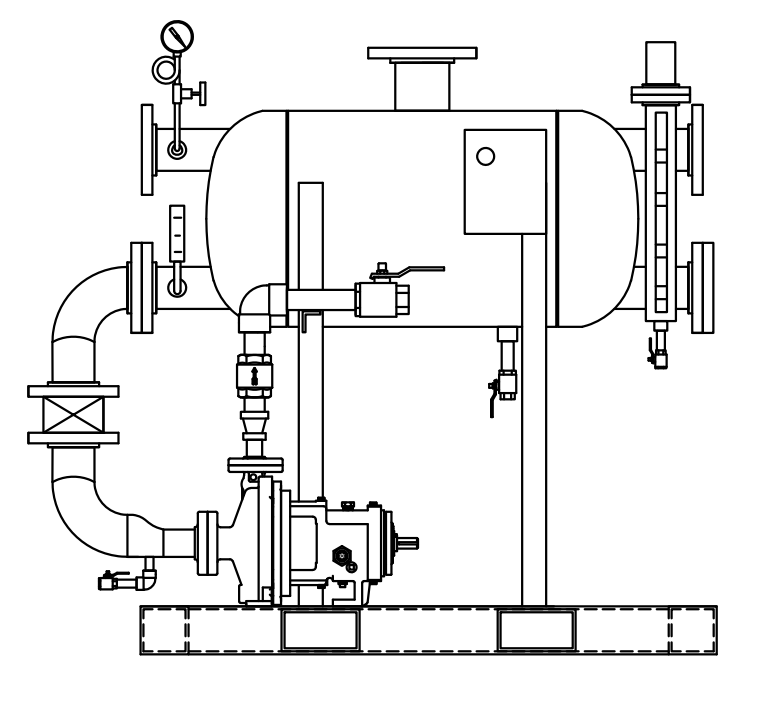
STEAM COIL DETAIL - VERTICAL



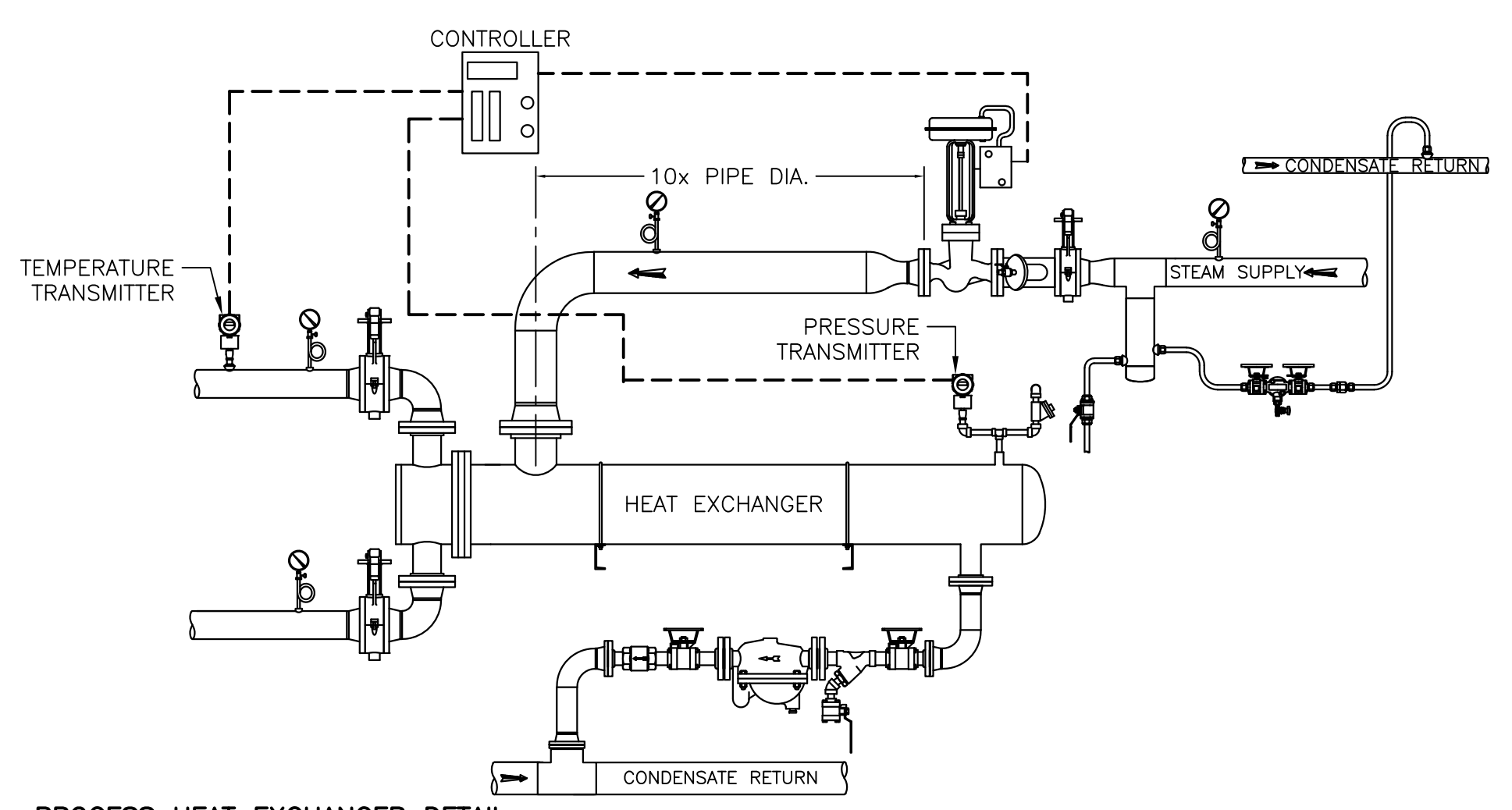
PRV (TWO STAGE VALVE ARRANGEMENT) SYSTEM



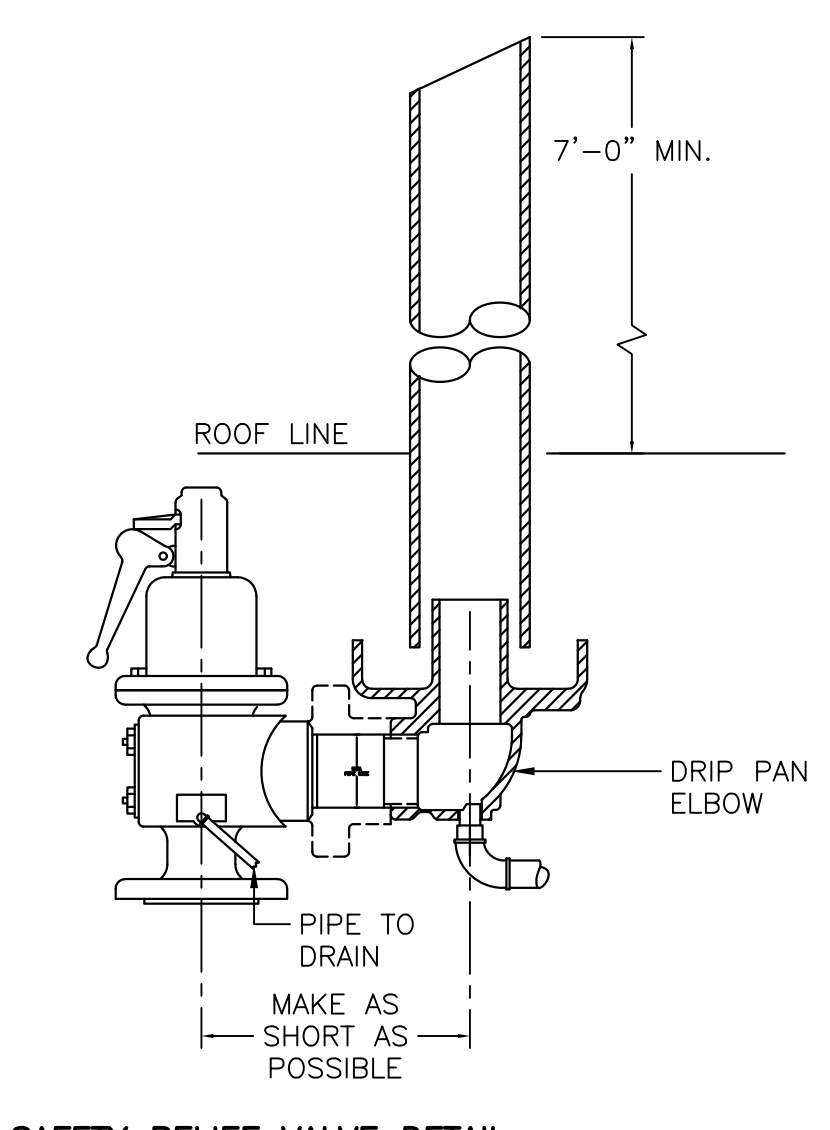
CONDENSATE DRAINAGE WITH LEVEL CONTROL



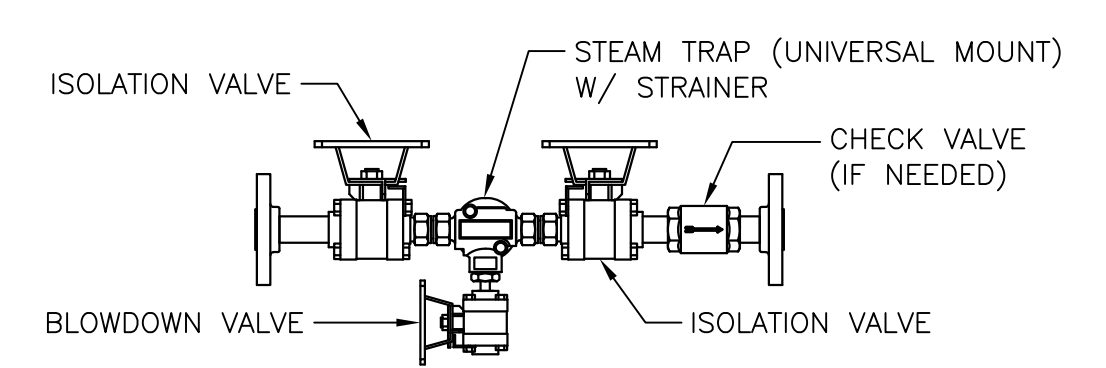
CONDENSATE TANKS



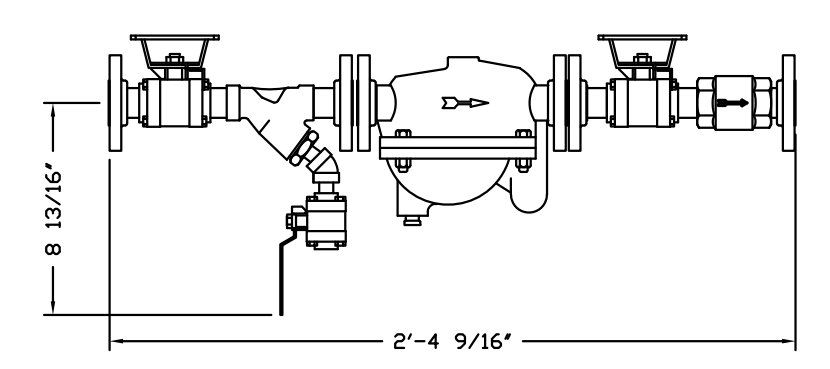
PROCESS HEAT EXCHANGER DETAIL



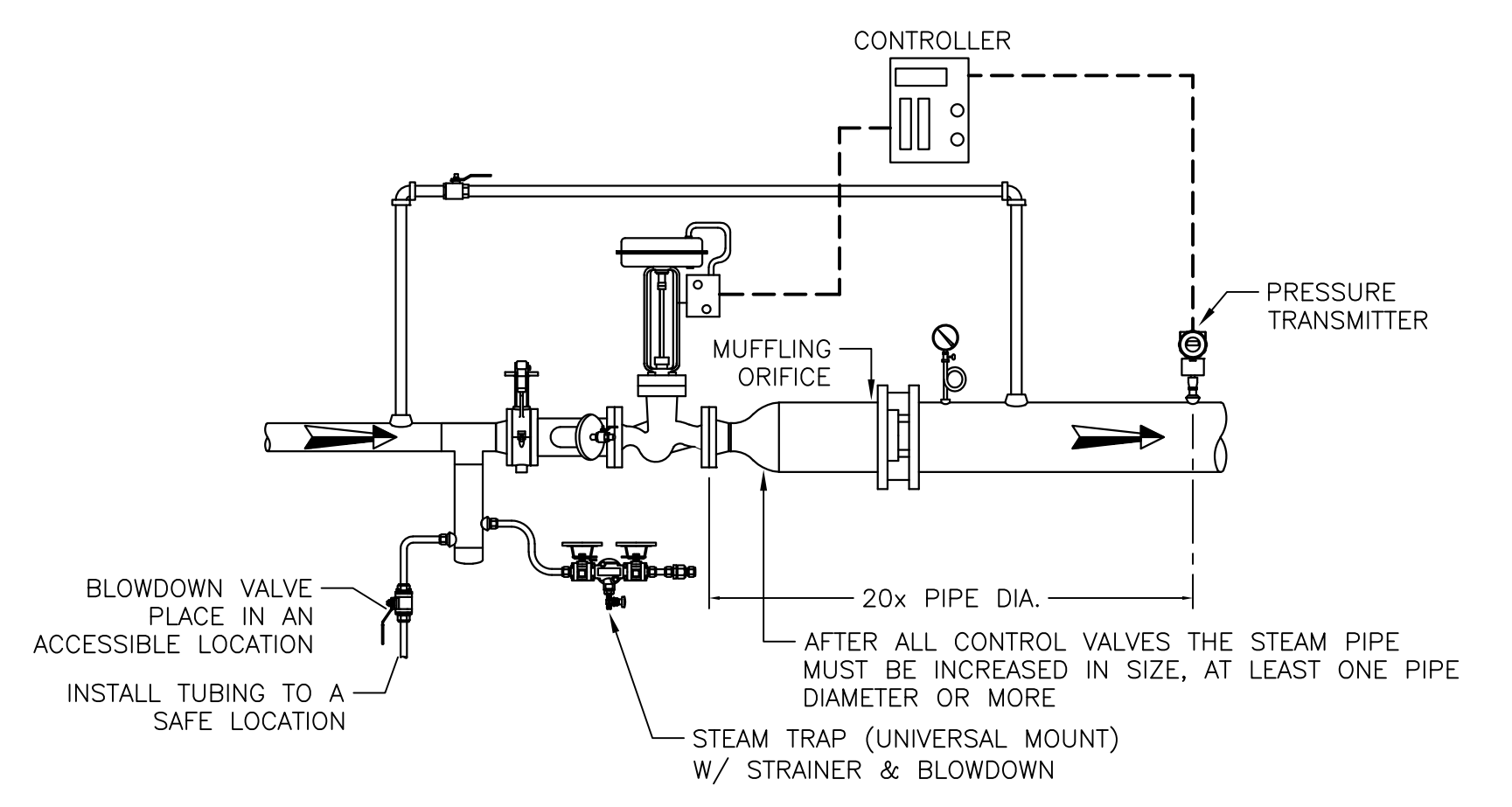
SAFETY RELIEF VALVE DETAIL



STEAM TRAP STATION DETAIL



PROCESS STEAM TRAP STATION DETAIL



PRV (CONTROL VALVE W/ ORIFICE PLATE) SYSTEM

